

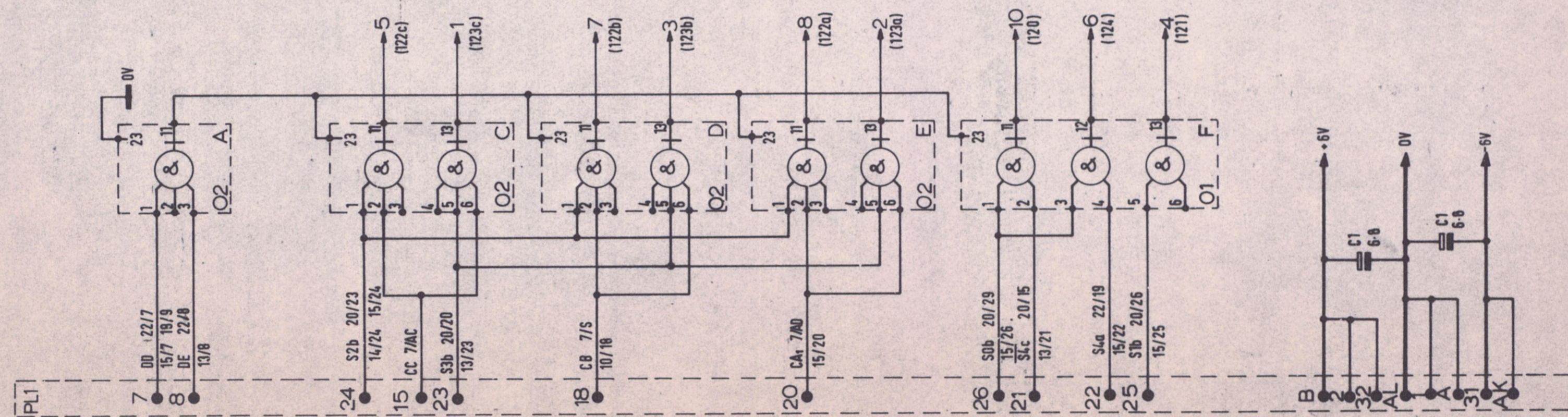
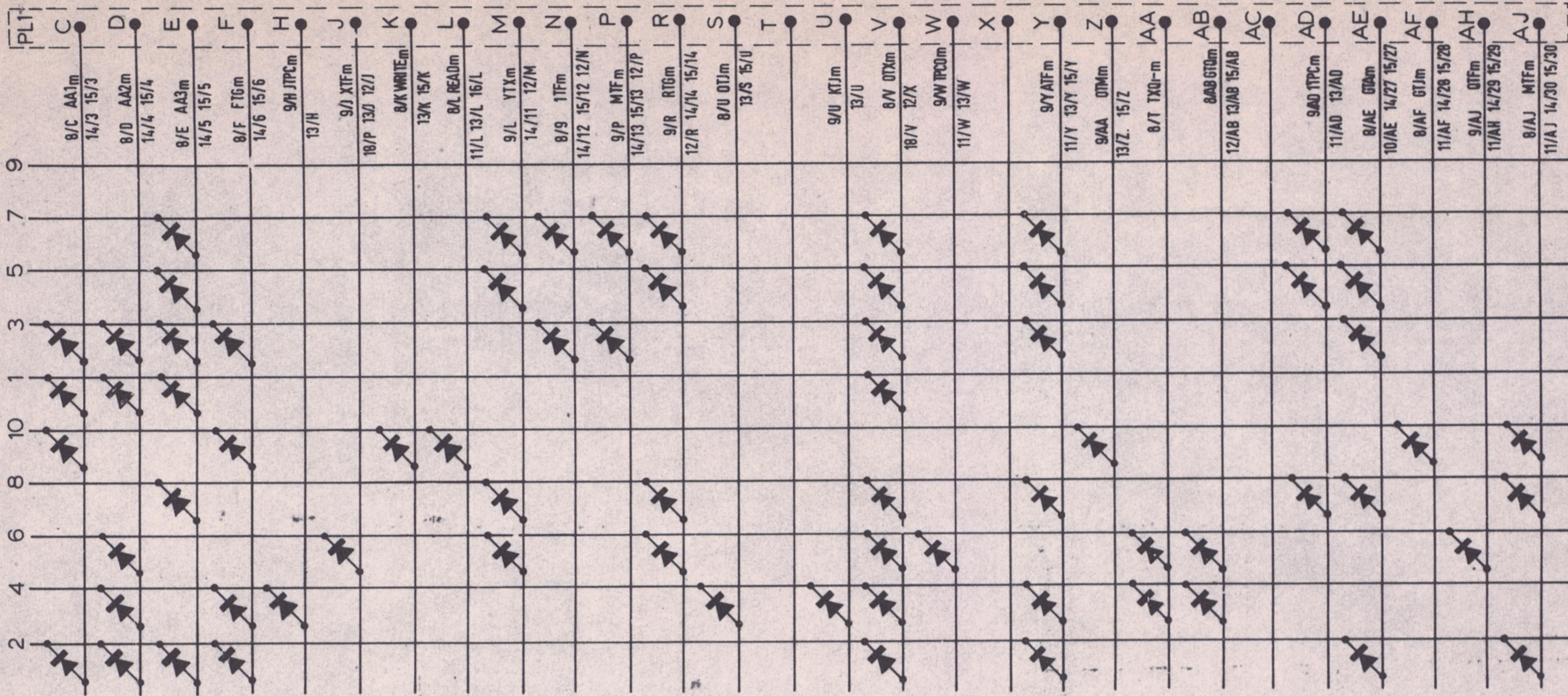
322C5205

THIRD ANGLE PROJECTION

DIMENSIONS IN INCHES UNLESS OTHERWISE STATED

DO NOT SCALE DRAWING

COPIED ON C4073



TITLE
 BOARD A-GF POS.14
 CONTROL MATRIX
 FUNCTION 12

TO BE READ IN CONJUNCTION WITH 322A7191

32

LATEST MI INCORPORATED: MI 2151 ~~2998~~

ISSUE No.	1
ALTERATION No.	1740
DATE	14-7-66
INITIALS	C.C.
PARTS LIST No.	
DRAWN	C. CLARKE
CHECKED	C.S. 635
APPROVED	[Signature]
DATE	9-11-66

MATERIAL _____ FINISH _____

© Elliott Brothers (London) Limited
 THIS DRAWING IS THE PROPERTY OF
 ELLIOTT BROTHERS (LONDON) LIMITED
 AND MAY NOT BE COPIED USED OR
 DISCLOSED FOR ANY PURPOSE EXCEPT
 AS AUTHORIZED IN WRITING BY ELLIOTT
 BROTHERS (LONDON) LIMITED

TOLERANCES
 LINEAR
 UNMACHINED SURFACES ±
 MACHINED SURFACES ±
 ANGULAR DIMENSIONS ±
 UNLESS OTHERWISE STATED

ELLIOTT BROTHERS (LONDON) LTD

TITLE
 BOARD A-GF POS.14
 CONTROL MATRIX
 FUNTION 12.

SCALE _____
 DRAWING No.
 322C5205